

## CODE 52018, 52021, 52022, 52030

ASSEMBLY PAGE NAME		Machine Assembly
CODE NO.:	FIGURE NO.:	A
52018	V145-S CE	1
52021	V145-S AUSTRALIA	2
52022	V145-S CE (12V)	1
52030	V145-S 2V CE	3

Item	Description	Part Number	QTY	1	2	3
1	Front Panel with Front Nameplate	W95X0521R	1	X	X	X
2	Primary Case (dx) with Side Nameplate (dx)	W95X0523R	1	X	X	X
3	Secondary Case (sx) with Side Nameplate (sx)	W95X0522R	1	X	X	X
4	Rear Panel	W95X0524R	1	X	X	X
5	Fan, 120x38mm	W7200004R	1	X	X	•
5	Fan, 120x38mm	W66X0726R	1	•	•	X
6	Cable Clamp	W8460038R	1	X	X	X
7	Input Cable CE	W78X0248R	1	X	•	•
7	Input Cable Australia	W78X0369R	1	•	X	•
7	Input Cable UK	W78X0730R	1	•	•	X
8	Input Switch	W7516224R	1	X	X	X
9	Input P.C. Board	W05X0509R	1	X	X	•
9	Input P.C. Board	W05X0701R	1	•	•	X
10	Inverter P.C. Board	W05X0519R	1	X	X	X
11	Control P.C. Board	W05X0510R	1	X	X	•
11	Control P.C. Board	W05X0708-2R	1	•	•	X
12	Knob Kit	W8700022R	1	X	X	X
13	Output Dinse Connector	W7600024R	2	X	X	X
14	Carrying Strap	W92X0543R	1	X	X	X

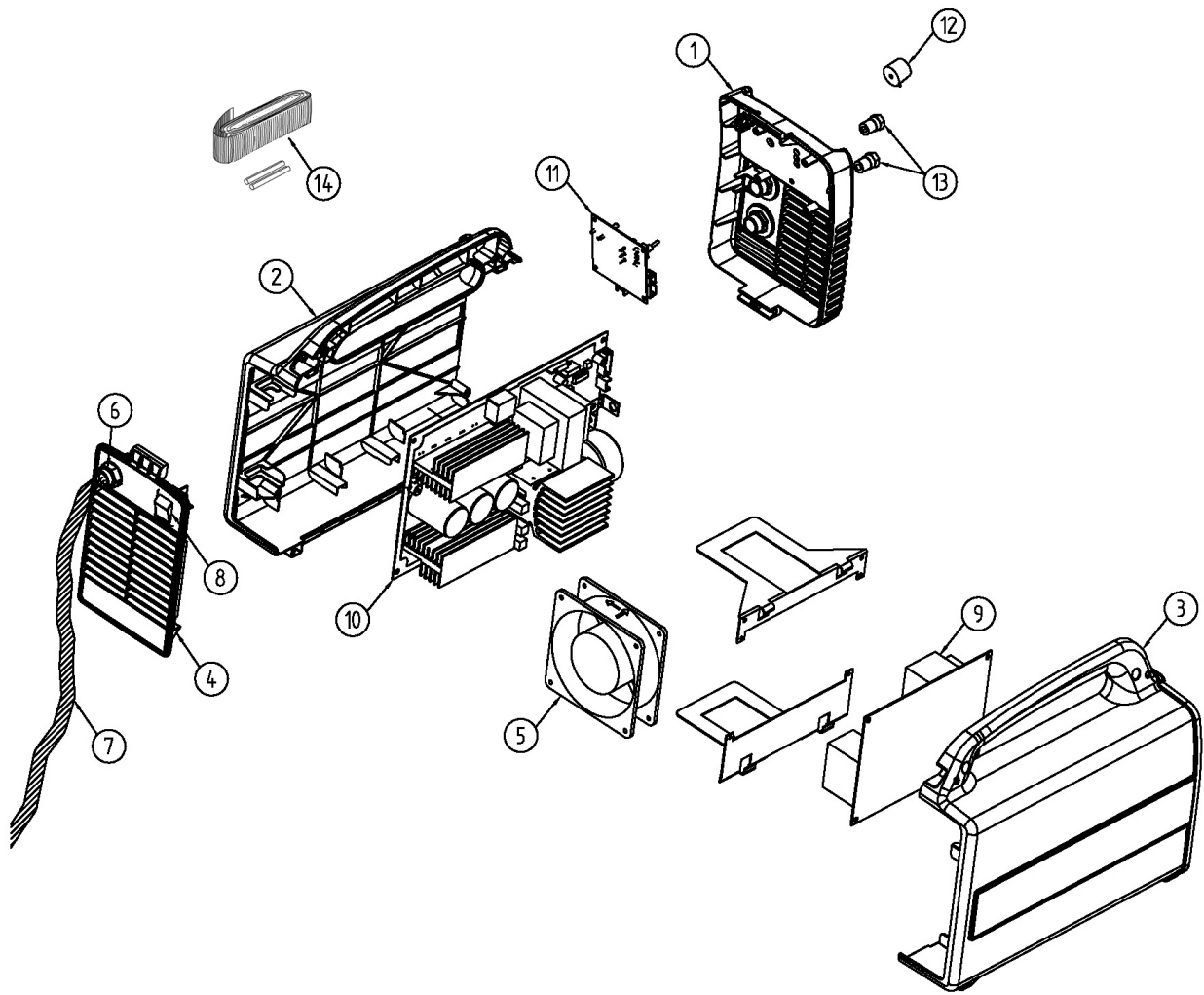


Figure A